

SHACKLES



H9
GN High alloy
shackle



H10
GN Bowsafety
pin shackle



H10 super
GN Bowsafety
pin shackle
super



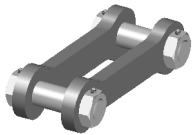
D15
GN Dee safety
pin shackle



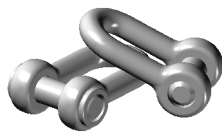
H11
GN Heavy duty
double nut
shackle



H14
GN Forged rope
shackle sling
protector



H12
Double pin /
snotter
shackle



D10
Crown pin
shackle



D11-12-13
D-shackle
NEN 964/
DIN 82101



D14
End joining
shackle
with round pin



D16
Joining shackle
with pear
shape pin



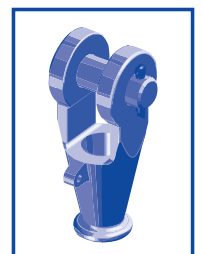
D17
Anchor
shackle
with oval pin



GN ROPE FITTINGS
Grofsmederij Nieuwkoop B.V. - The Netherlands

www.gnweb.com, sales@gnweb.com

Tel: +31(0) 172 579 303, Fax: +31(0) 172 571 073



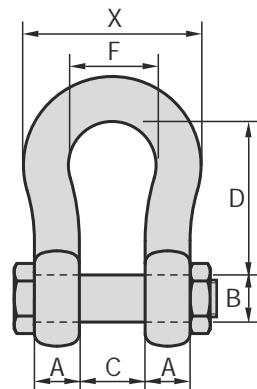
GN HIGH ALLOY SHACKLE

TYPE H9

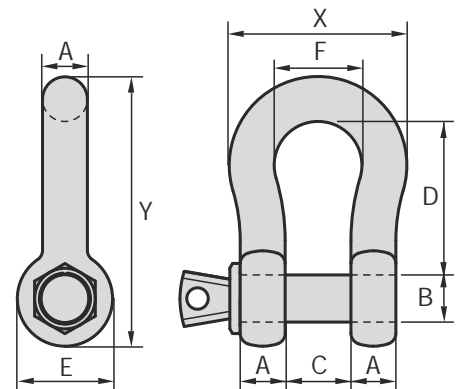
Material : Forged high tensile steel quenched and tempered
 Safety factor : 6 times
 Finish : Galvanised
 Temperature range : -20°C up to +200°C



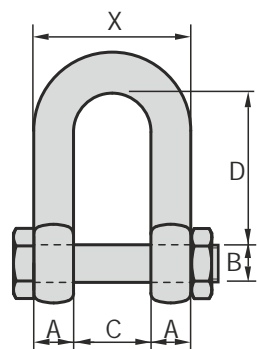
BOW TYPE SAFETY PIN



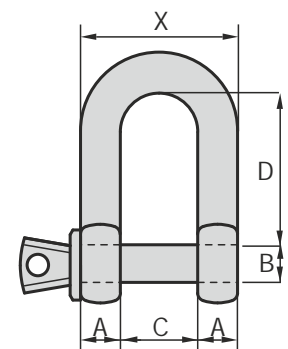
BOW TYPE SCREW PIN



DEE TYPE SAFETY PIN



DEE TYPE SCREW PIN



WLL ton	Art. No. Dee		Art. No. Bow		A mm	B mm	C mm	D		E mm	F mm	X		Y		Weight Dee kg	Weight Bow kg
	screw pin	safety pin	screw pin	safety pin				Dee mm	Bow mm			Dee mm	Bow mm	Dee mm	Bow mm		
0.33	32000003		37000004		5	6	10	19	22	12	16	22	26	33	36	0.02	0.02
0.5	32000005		37000006	37000009	7	8	12	22	29	17	20	31	34	42	49	0.05	0.06
0.75	32000007		37000007	37000008	9	10	14	26	32	20	22	38	40	50	56	0.09	0.11
1	32000010		37000011	37000017	10	11	17	32	37	23	26	43	46	59	64	0.14	0.16
1.5	32000015		37000015	37000016	11	13	19	37	43	27	29	49	51	68	74	0.19	0.22
2	32000021	32000025	37000020	37000029	14	16	22	43	51	34	32	61	58	81	89	0.39	0.42
3.25	32000030	32000039	37000030	37000039	16	19	27	51	64	40	43	72	75	97	110	0.67	0.74
4.75	32000040	32000049	37000040	37000049	19	22	31	59	76	46	51	84	89	112	129	1.1	1.2
6.5	32000060	32000069	37000060	37000069	22	25	36	73	83	52	58	96	102	134	144	1.7	1.8
8.5	32000080	32000089	37000080	37000089	25	28	43	85	95	59	68	109	118	154	164	2.5	2.6
9.5	32000090	32000099	37000090	37000099	28	32	47	90	108	66	75	122	131	167	185	3.4	3.7
12	32000120	32000129	37000120	37000129	32	35	51	94	115	72	83	136	147	180	201	4.5	4.9
13.5	32000130	32000139	37000130	37000139	35	38	57	115	133	80	92	150	162	209	227	6.1	6.5
17	32000170	32000179	37000170	37000179	38	42	60	127	146	88	99	164	175	230	249	7.6	8.2
25	32000250	32000259	37000250	37000259	45	50	74	149	178	103	126	193	216	271	300	13	14
35	32000350	32000359	37000350	37000359	50	57	83	171	197	111	138	211	238	305	331	19	20
42.5	32000420	32000429	37000420	37000429	57	65	95	190	222	130	160	244	274	345	377	26	28
55	32000550	32000559	37000550	37000559	65	70	105	203	260	145	180	275	310	376	433	35	40
85		32000859		37000859	75	83	127	229	329	162	190	312	340	427	527	53	62

Tolerance: Inside length ± 7.5%, all other forged parts ± 5%, machined parts ± 1 mm

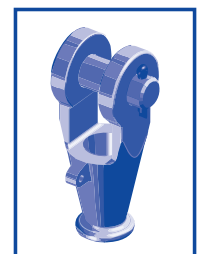


GNROPE FITTINGS

Grofsmederij Nieuwkoop B.V. - The Netherlands

www.gnweb.com, sales@gnweb.com

Tel: +31(0) 172 579 303, Fax: +31(0) 172 571 073

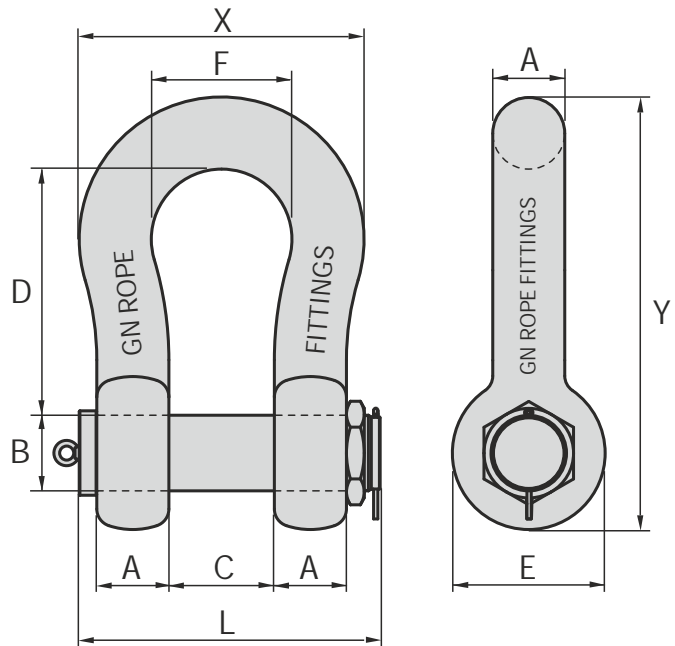
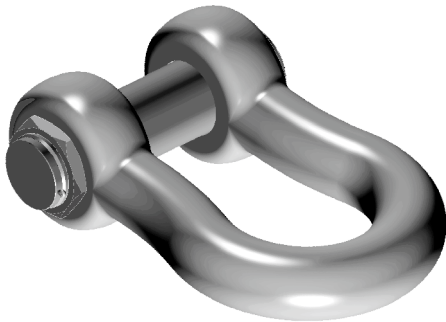


GN BOW SAFETY PIN SHACKLE

TYPE H10

Material : Forged alloy steel quenched and tempered
 Safety factor : 5 times
 Standards : Generally to U.S. Federal Spec RR-C-271
 Finish : Painted
 Temperature range : -40°C up to +200°C

Non-standard sizes or custom products available on request



Art. No.	WLL ton	A mm	B mm	C mm	D mm	E mm	F mm	L mm	X mm	Y mm	Weight kg
37001209	120	89	95	150	380	200	238	420	416	617	110
37001509	150	102	108	170	400	230	275	475	479	671	160
37002009	200	120	125	180	500	260	290	520	530	813	235
37002509	250	125	140	205	540	260	305	560	555	865	285
37003009	300	130	150	205	600	305	305	570	565	958	340
37004009	400	165	175	230	680	350	325	665	655	1108	560
37005009	500	180	185	255	700	370	350	720	710	1158	685
37006009	600	195	205	285	700	405	375	815	765	1200	880
37007009	700	205	217	310	700	435	400	860	810	1231	980
37008009	800	210	217	310	700	435	400	870	820	1236	1100
37009009	900	220	230	330	700	465	420	910	860	1268	1280
37010009	1000	230	240	350	750	480	420	950	880	1290	1460
37012509	1250	278	270	370	780	590	450	1105	1010	1490	2320
37015009	1500	280	290	370	800	610	450	1105	1010	1530	2450
37017509	1750	300	330	430	950	660	540	1230	1140	1745	3280
37020009	2000	320	360	460	1050	680	560	1300	1200	1890	3920

Tolerance: Inside length $\pm 7.5\%$, all other forged parts $\pm 5\%$, machined parts ± 1 mm

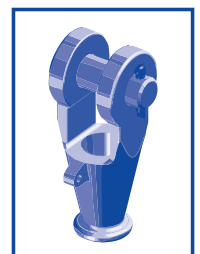


GN ROPE FITTINGS

Grofsmederij Nieuwkoop B.V. - The Netherlands

www.gnweb.com, sales@gnweb.com

Tel: +31(0) 172 579 303, Fax: +31(0) 172 571 073

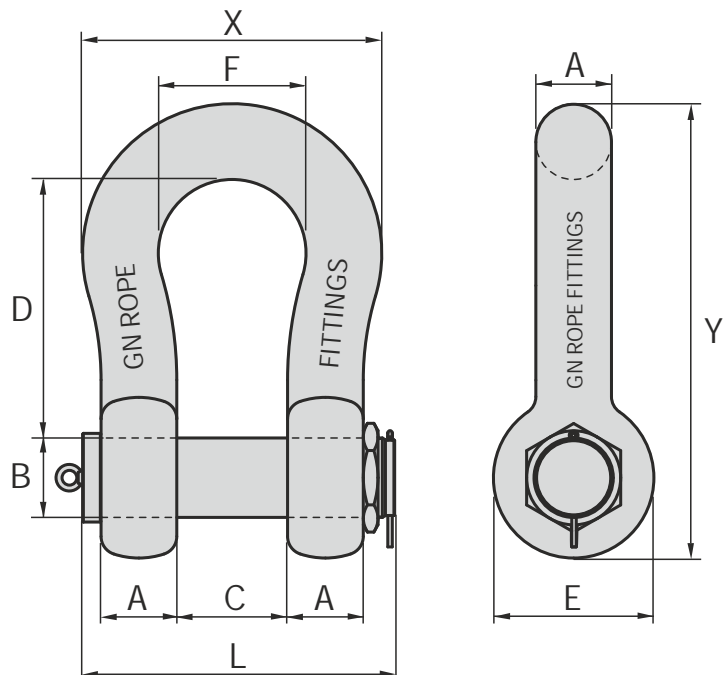
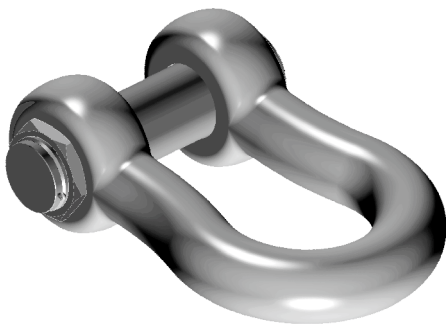


GN BOW SAFETY PIN SHACKLE (SUPER)

TYPE H10 SUPER

Material : Forged alloy steel quenched and tempered
 Safety factor : 5 times
 Finish : 85 ton galvanised
 85 ton painted
 Temperature range : 85 ton -20°C up to +200°C
 85 ton -40°C up to +200°C

Non-standard sizes or custom products available on request



* Shackles from 30 ton 85 ton are not supplied with an eyebolt

Art. No.	WLL ton	A mm	B mm	C mm	D mm	E mm	F mm	L mm	X mm	Y mm	Weight kg
38000259	30	38	42	60	146	88	99	202	175	249	8.4
38000400	40	45	50	74	178	103	126	249	216	300	15
38000550	55	57	57	83	197	117	138	286	252	341	22
38000850	85	70	70	105	260	143	180	344	320	437	42
37001108	120	80	83	127	329	162	190	372	350	532	70
37001409	150	90	95	135	380	190	240	405	420	613	110
37001759	175	102	108	140	400	230	250	440	450	669	150
37002008	200	120	121	180	500	260	290	525	530	811	225
37002508	250	125	127	220	520	260	325	575	575	839	300
37003008	300	135	152	220	500	305	330	605	610	869	352

Tolerance: Inside length \pm 7.5%, all other forged parts \pm 5%, machined parts \pm 1 mm

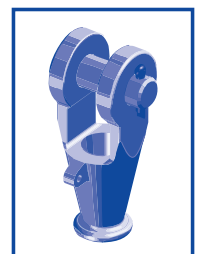


GN ROPE FITTINGS

Grofsmederij Nieuwkoop B.V. - The Netherlands

www.gnweb.com, sales@gnweb.com

Tel: +31(0) 172 579 303, Fax: +31(0) 172 571 073

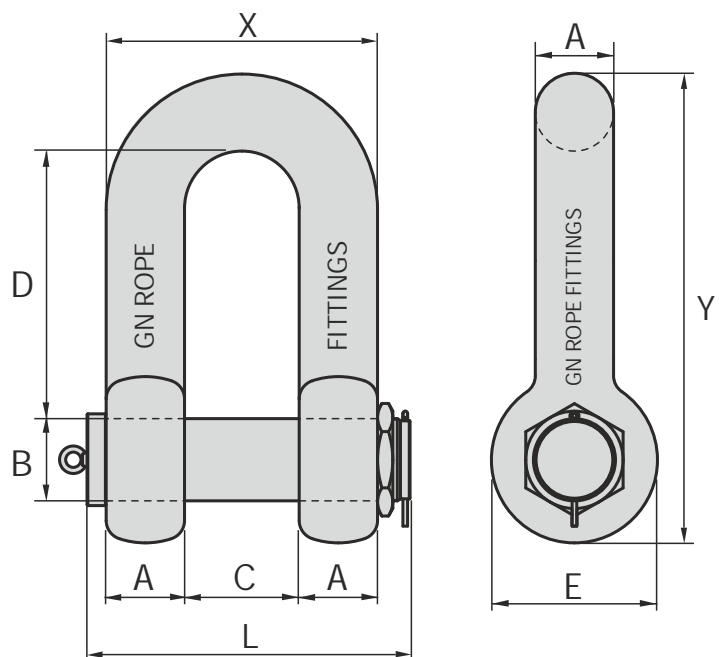


GN DEE SAFETY PIN SHACKLE

TYPE D15

Material : Forged alloy steel quenched and tempered
 Safety factor : 5 times
 Finish : Painted
 Temperature range : -40°C up to +200°C

Non-standard sizes or custom products available on request



Art. No.	WLL ton	A mm	B mm	C mm	D mm	E mm	L mm	X mm	Y mm	Weight kg
32001209	120	89	95	150	270	200	420	328	504	100
32090095	150	89	95	130	310	190	400	308	542	89
32001508	150	102	108	170	315	230	475	374	586	143
32100115	175	100	110	160	400	220	450	350	625	135
32002009	200	120	125	180	500	260	520	420	813	239
32130140	250	130	140	195	460	280	565	455	795	268
32140152	300	140	150	205	500	300	595	485	855	332
32150164	350	150	160	220	520	320	630	520	910	403
32160170	400	160	170	235	580	340	665	555	965	484
32170180	500	170	180	250	600	360	700	590	1025	576
32180192	600	180	190	265	620	380	735	625	1080	678
32190205	700	190	205	290	665	405	815	670	1160	829

Tolerance: Inside length $\pm 7.5\%$, all other forged parts $\pm 5\%$, machined parts ± 1 mm

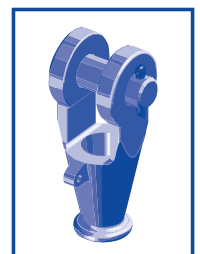


GN ROPE FITTINGS

Grofsmederij Nieuwkoop B.V. - The Netherlands

www.gnweb.com, sales@gnweb.com

Tel: +31(0) 172 579 303, Fax: +31(0) 172 571 073



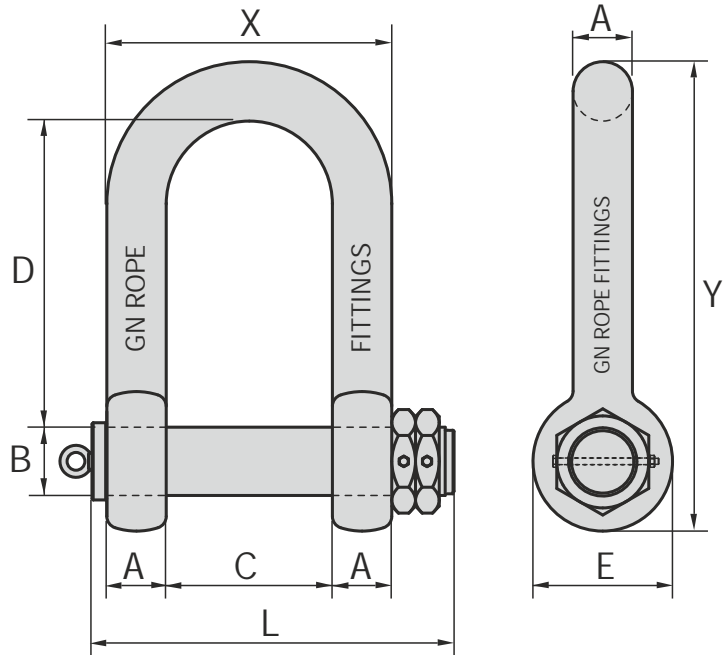
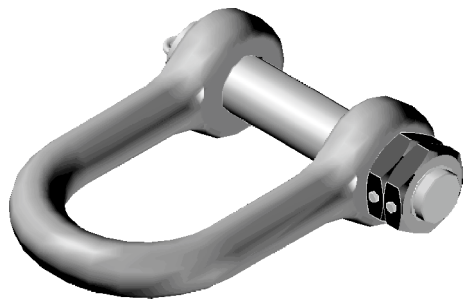
10-06-2014

GN HEAVY DUTY DOUBLE NUT SHACKLE

TYPE H11

Material : Forged alloy steel quenched and tempered
 Safety factor : 5 times
 Finish : Galvanised with stainless steel cotterpins
 Temperature range : -40°C up to +200°C

Non-standard sizes or custom products available on request



Note: Ensure that the load is centralized on the pin
 When there is too much space in the jaw gap, we advise to use washers

* Shackles from 34 ton and 60 ton are not supplied with an eyebolt

Art. No.	WLL ton	MBL ton	Thimble size inch	A mm	B mm	C mm	D mm	E mm	L mm	X mm	Y mm	Weight kg
38526509	34	170	8" -10"	50	65	140	285	115	345	240	425	23
38657609	60	300	11" -13"	70	76	160	360	165	430	315	541	59
38769009	85	425	14" -15"	80	90	220	390	178	505	380	604	85
38891029	110	550	16" -18"	90	100	254	430	210	575	434	675	122
38902119	130	650	19" -21"	100	114	280	480	235	620	480	755	170
38910009	200	1000	19" -21"	125	133	300	600	265	695	550	924	282
38925139	225	1125	22" -24"	130	146	333	720	305	735	593	1075	349
Special heavy duty double nut shackle												
32105120	200	498	18"	105	120	254	500	228	610	464	779	205
32115125	200	498	21"	115	125	280	520	238	655	510	797	244
32115126	250	612	15"	115	125	220	400	238	595	450	697	203
32125131	250	612	18"	125	130	254	500	238	650	504	809	248
32125138	250	612	21"	125	130	280	480	260	675	530	800	274

Tolerance: Inside length ± 7.5%, all other forged parts ± 5%, machined parts ± 1 mm

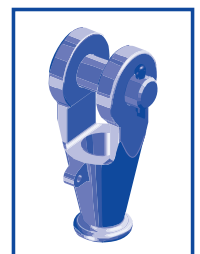


GN ROPE FITTINGS

Grofsmederij Nieuwkoop B.V. - The Netherlands

www.gnweb.com, sales@gnweb.com

Tel: +31(0) 172 579 303, Fax: +31(0) 172 571 073

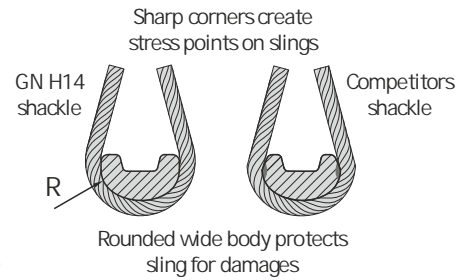


07-10-2014

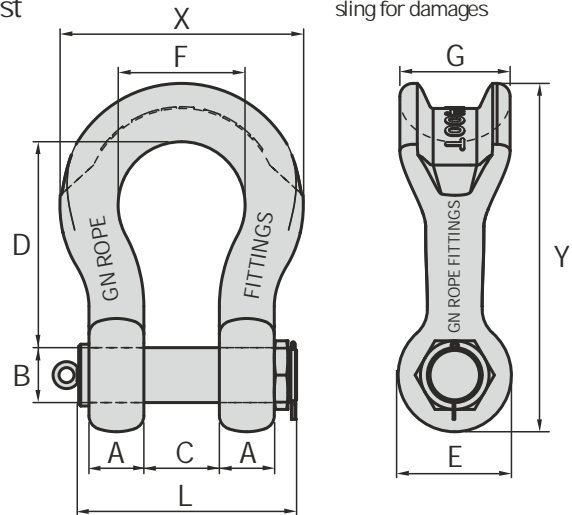
GN FORGED ROPE SHACKLE SLING PROTECTOR (WIDE BODY)

TYPE H14

Material : Alloy steel quenched and tempered
 Safety factor : 1550 ton 5 times
 1550 ton 4 times
 Finish : Painted
 Temperature range : 40 ton -20°C up to +200°C
 40 ton -40°C up to +200°C



Non-standard sizes or custom products available on request



* Shackles from 30 ton 75 ton are not supplied with an eyebolt

Art. No.	WLL ton	A mm	B mm	C mm	D mm	E mm	F mm	G mm	L mm	R mm	X mm	Y mm	Weight kg
36000025	30	35	44	65	180	90	128	80	202	45	209	292	14
36000040	40	45	51	84	200	109	140	97	252	53	235	331	21
36000055	55	65	56	90	250	130	160	115	295	55	288	400	33
36000075	75	75	70	110	300	150	185	120	345	60	334	485	53
36000125	125	85	80	140	370	165	220	150	395	80	380	583	84
36000150	150	90	95	150	400	200	250	170	420	90	429	638	115
36000200	200	105	105	160	480	225	275	205	470	110	484	755	183
36000250	250	120	120	180	550	240	300	240	520	125	540	850	255
36000300	300	140	134	195	600	280	350	265	580	140	628	947	368
36000400	400	160	160	230	620	330	370	320	655	170	689	1035	571
36000500	500	170	180	265	680	350	450	340	710	180	779	1125	719
36000600	600	180	200	290	720	405	490	370	795	190	849	1213	960
36000700	700	210	215	320	780	465	540	400	880	215	957	1330	1350
36000800	800	220	230	345	800	465	555	420	925	220	975	1358	1400
36000900	900	235	250	370	850	480	585	440	1010	235	1060	1450	2100
36001000	1000	235	270	400	850	530	615	460	1050	240	1091	1490	2200
36001250	1250	275	300	455	960	570	645	530	1210	285	1205	1695	2800
36001500	1550	275	320	485	980	610	680	580	1240	290	1240	1745	3300
36001750	1750	310	360	500	1020	660	700	600	1330	310	1326	2000	4700
36002000	2000	320	385	520	1060	680	720	620	1350	320	1326	1913	4800
36002500	2500	340	430	520	1100	760	740	660	1460	340	1400	2060	6300
36003000	3000	350	450	540	1100	780	740	680	1480	350	1480	2060	6500
36003500	3500	370	465	560	1100	830	760	760	1580	380	1560	2100	8000
36004000	4000	380	480	600	1100	870	780	800	1600	410	1620	2100	8200

Tolerance: Inside length ± 7.5%, all other forged parts ± 5%, machined parts ± 1 mm

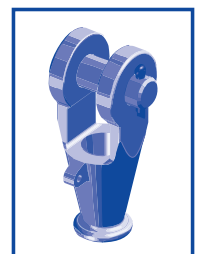


GN ROPE FITTINGS

Grofsmederij Nieuwkoop B.V. - The Netherlands

www.gnweb.com, sales@gnweb.com

Tel: +31(0) 172 579 303, Fax: +31(0) 172 571 073

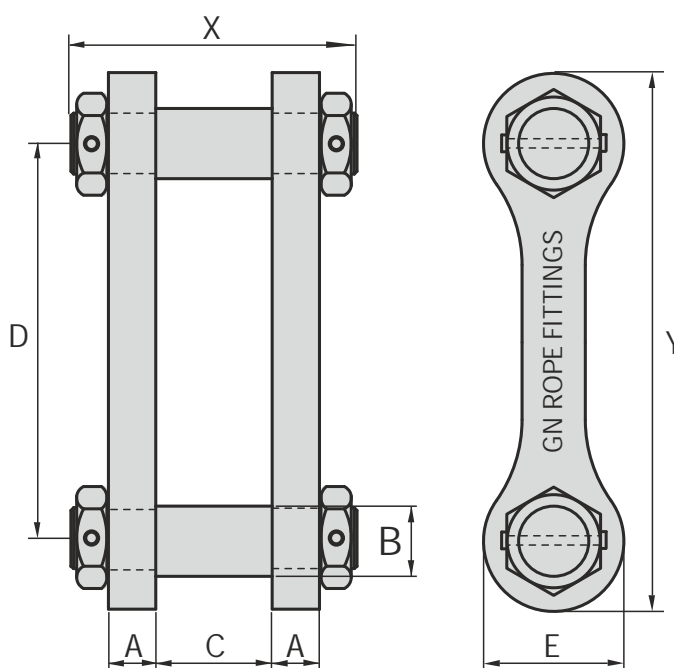
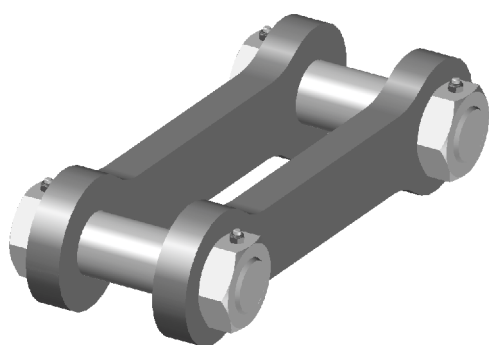


DOUBLE PIN / SNOTTER SHACKLE

TYPE H12

Material : Body high tensile steel
Pin alloy steel quenched and tempered
Finish : Painted
Temperature range : -20°C up to +200°C

Non-standard sizes or custom products available on request

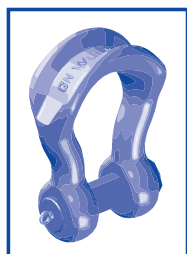


Note: Ensure that the load is centralized on the pin

When there is too much space in the jaw gap, we advise to use washers

Art. No.	Thimble size inch	PL ton	MBL ton	A mm	B mm	C mm	D mm	E mm	X mm	Y mm	Weight kg
38120000	12"	300	500	90	110	170	540	190	520	750	211
38150000	15"	300	500	90	110	200	540	190	550	750	216
38180000	18"	300	500	90	110	225	710	190	575	920	244
38210000	21"	300	500	90	110	250	710	190	600	920	250

Tolerance: Machined parts ± 1 mm

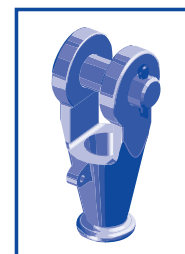


GN ROPE FITTINGS

Grofsmederij Nieuwkoop B.V. - The Netherlands

www.gnweb.com, sales@gnweb.com

Tel: +31(0) 172 579 303, Fax: +31(0) 172 571 073



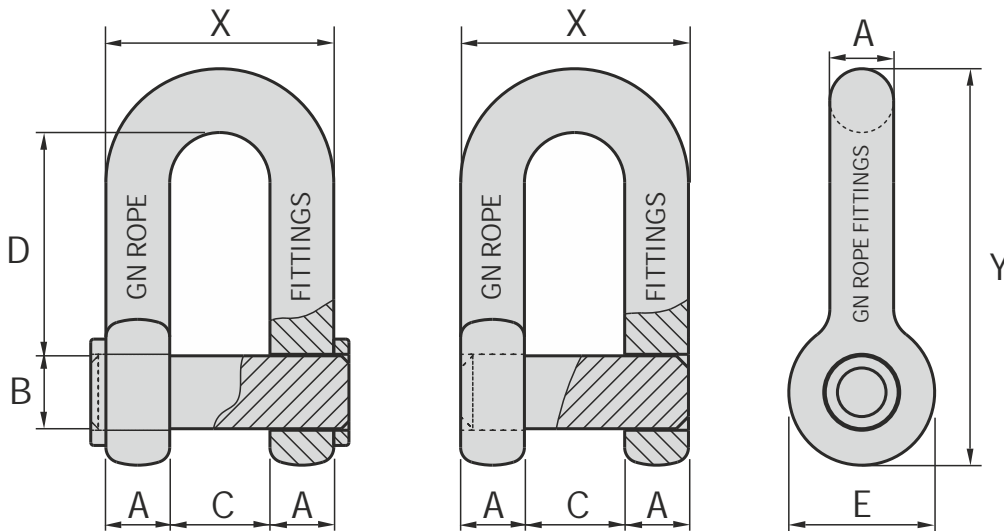
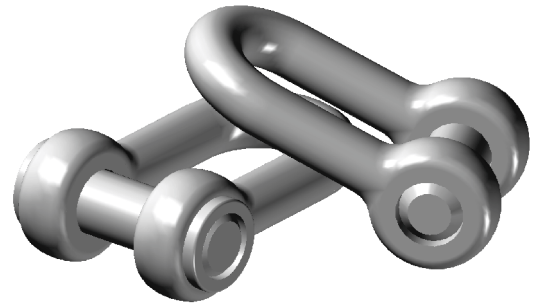
10-06-2014

CROWN PIN SHACKLE

TYPE D10

Material : High tensile steel
 Finish : Self coloured
 Temperature range : -20°C up to +200°C

Non-standard sizes or custom products available on request



Art. No.	A mm	B mm	C mm	D mm	E mm	X mm	Y mm	Weight kg
31485230	44	48	66	147	96	154	263	11
	49	52	73	158	104	171	285	14
	55	60	81	185	120	191	330	21
31606830	61	68	90	211	136	212	374	30
	67	72	100	221	144	234	396	36
31708040	74	80	110	246	160	258	440	49
31809040	75	90	125	276	180	275	486	75
31901004	90	100	140	307	200	316	545	100
31950000	100	110	155	339	230	347	600	130
31990000	110	125	175	385	250	395	684	180
31999999	125	140	200	430	280	450	765	260
32140152	140	150	210	475	305	490	843	335
32150164	150	160	220	525	330	520	920	413
32160170	160	170	235	560	340	555	975	500
32170180	170	180	250	610	350	590	1045	601
32180192	180	190	270	650	380	630	1115	716
32190205	190	200	280	690	405	660	1183	839

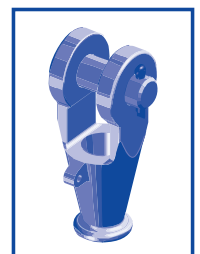
Tolerance: Inside length $\pm 7.5\%$, all other forged parts $\pm 5\%$, machined parts ± 1 mm



GNROPE FITTINGS
 Grofsmederij Nieuwkoop B.V. - The Netherlands

www.gnweb.com, sales@gnweb.com

Tel: +31(0) 172 579 303, Fax: +31(0) 172 571 073

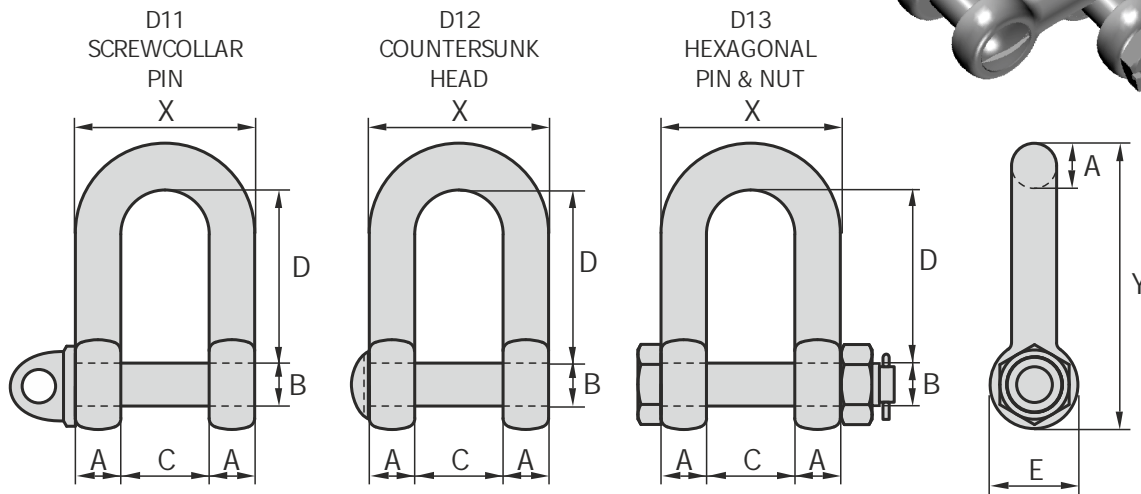
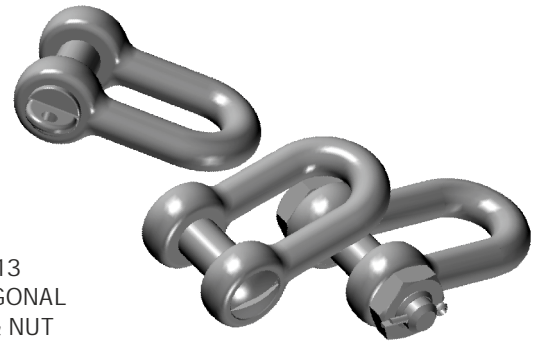


D-SHACKLE

NEN 964/DIN 82101

TYPE D11-D12-D13

Material : High tensile steel
 Finish : Self coloured/galvanised
 Temperature range : -20°C up to +200°C



~ specification: 0 = Self coloured
 9 = Galvanised

Art. No. D11	Art. No. D12	Art. No. D13	WLL ton	A mm	B mm	C mm	D mm	E mm	X mm	Y mm	Packing	Weight kg
3107080~			0.25	8	8	11	24	16	27	44	100	0.05
3108100~	31081020	3108104~	0.4	10	10	14	30	20	34	55	100	0.11
3110120~	31101220	3110124~	0.63	12	12	17	36	24	41	66	50	0.20
3113160~	31131620	3113164~	1	13	16	21	49	32	47	86	50	0.37
3117200~	31172020	3117204~	1.6	16	20	27	61	40	59	107	20	0.69
3119220~	31192220	3119224~	2	20	22	30	67	44	70	120	20	1.1
3122240~	31222420	3122244~	2.5	22	24	33	73	48	77	131	10	1.5
3124270~	31242720	3124274~	3	25	27	38	84	54	88	150	10	2.2
3127300~	31273020	3127304~	4	28	30	42	91	60	98	164	10	2.9
3130360~	31303620	3130364~	5	32	36	47	111	72	111	197	5	4.7
3135390~	31353920	3135394~	6	36	39	53	120	78	125	215	5	6.3
3138450~	31384520	3138454~	8	41	45	60	140	90	142	249		8.5
3142480~	31424820	3142484~	10	44	48	66	147	96	154	263		11
3148520~	31485220	3148524~	12	49	52	73	158	104	171	285		14
3152600~	31526020	3152604~	16	55	60	81	185	120	191	330		21
3160680~	31606820	3160684~	20	61	68	90	211	136	212	374		30
3165720~		3165724~	25	67	72	100	221	144	234	396		36
			32	74	80	110	246	160	258	440		49
			40	75	90	125	276	180	275	486		75
			50	88	100	140	307	200	316	545		100
			63	96	110	155	339	220	347	600		140
			80	110	125	175	386	250	395	684		200
			100	125	140	200	430	280	450	765		280

Tolerance: Inside length $\pm 7.5\%$, all other forged parts $\pm 5\%$, machined parts ± 1 mm

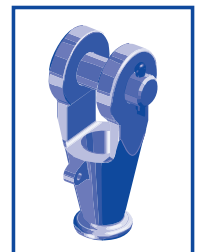


GNROPE FITTINGS

Grofsmederij Nieuwkoop B.V. - The Netherlands

www.gnweb.com, sales@gnweb.com

Tel: +31(0) 172 579 303, Fax: +31(0) 172 571 073

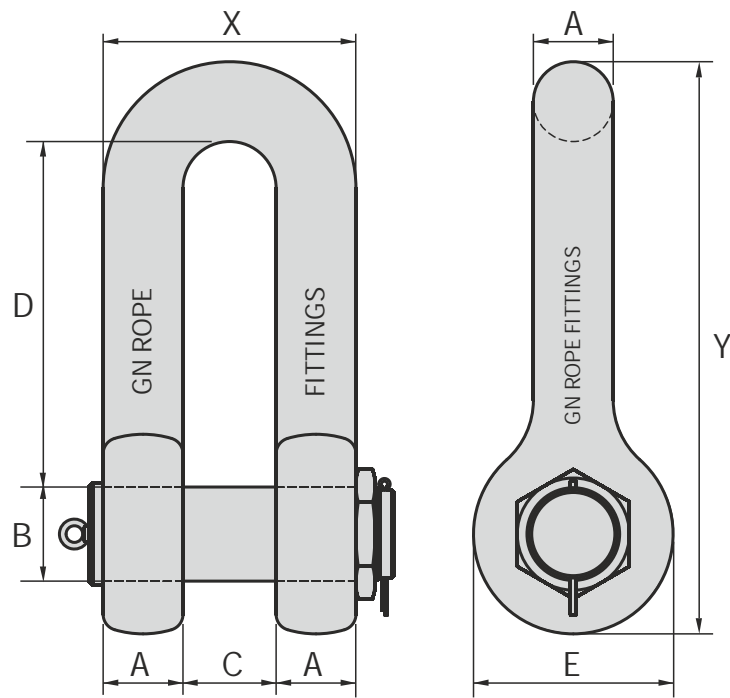
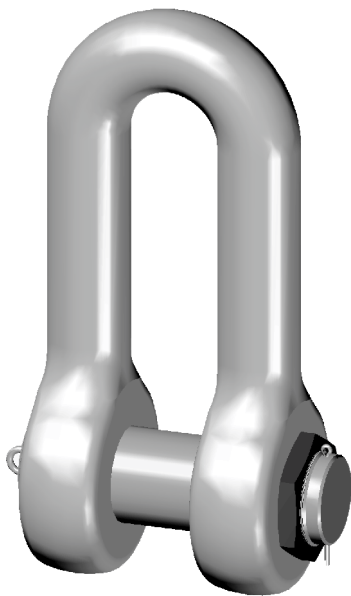


END JOINING SHACKLE WITH ROUND PIN

TYPE D14

Material : Forged steel R3/R3S/R4/R4S
 Finish : Painted
 Standards : ABNT NBR 13715
 Temperature range : -40°C up to +200°C

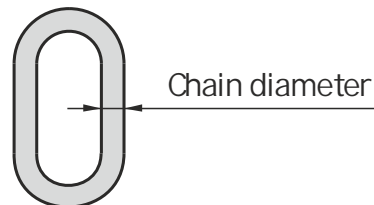
Also to be used for mooring applications
 Non-standard sizes or custom products available on request



Dimensions for shackles are calculated by multiplying the common link size by the factor shown in this drawing.

Dimensions related to nominal chain diameter

- A = 1.2 x chain diameter
- B = 1.4 x chain diameter
- C = 1.4 x chain diameter
- D = 5.2 x chain diameter
- E = 3.0 x chain diameter
- X = 3.8 x chain diameter
- Y = 8.6 x chain diameter



Tolerance: According ABNT NBR 13715

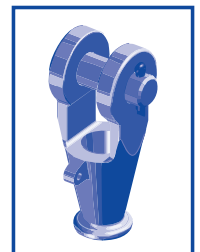


GNROPE FITTINGS

Grofsmederij Nieuwkoop B.V. - The Netherlands

www.gnweb.com, sales@gnweb.com

Tel: +31(0) 172 579 303, Fax: +31(0) 172 571 073



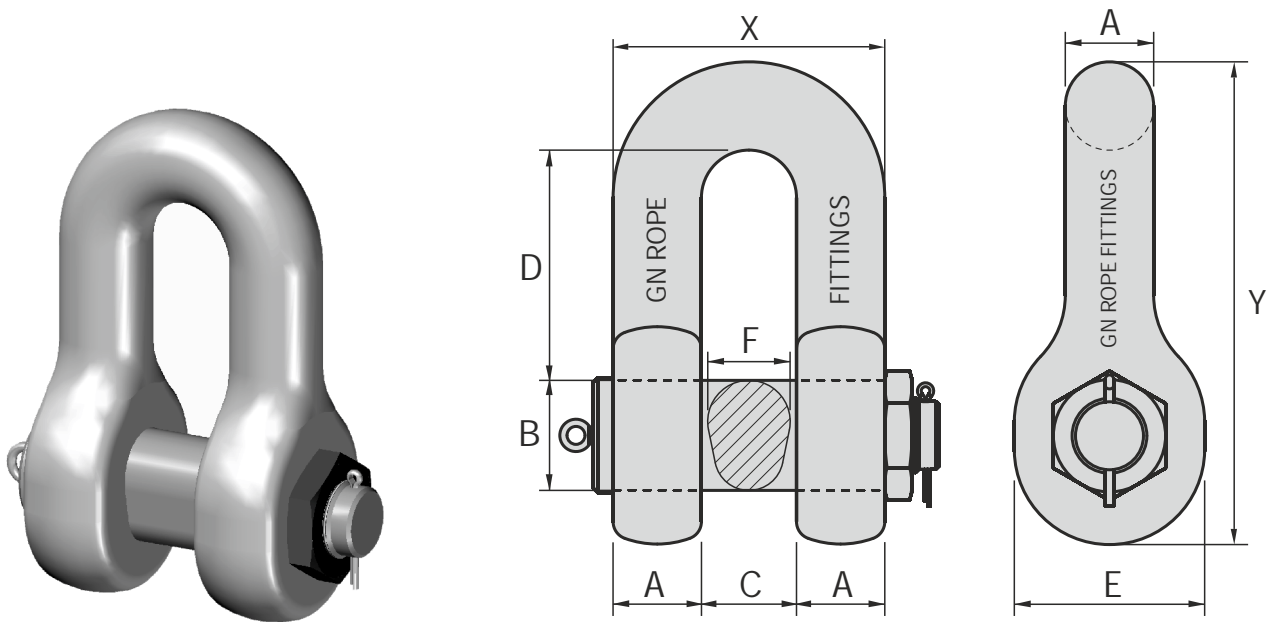
10-06-2014

JOINING SHACKLE WITH PEAR SHAPE PIN

TYPE D16

Material : Forged steel R3/R3S/R4/R4S
 Finish : Painted
 Standards : ISO 1704
 Temperature range : -40°C up to +200°C

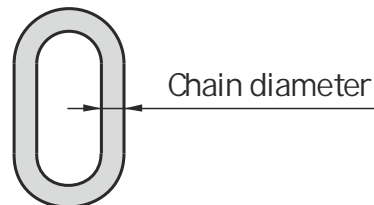
Also to be used for mooring applications
 Non-standard sizes or custom products available on request



Dimensions for shackles are calculated by multiplying the common link size by the factor shown in this drawing.

Dimensions related to nominal chain diameter

A = 1.3 x chain diameter
 B = 1.6 x chain diameter
 C = 1.4 x chain diameter
 D = 3.4 x chain diameter
 E = 2.8 x chain diameter
 F = 1.2 x chain diameter
 X = 4.0 x chain diameter
 Y = 7.1 x chain diameter



Tolerance: According ISO 1704

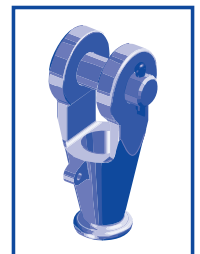


GNROPE FITTINGS

Grofsmederij Nieuwkoop B.V. - The Netherlands

www.gnweb.com, sales@gnweb.com

Tel: +31(0) 172 579 303, Fax: +31(0) 172 571 073



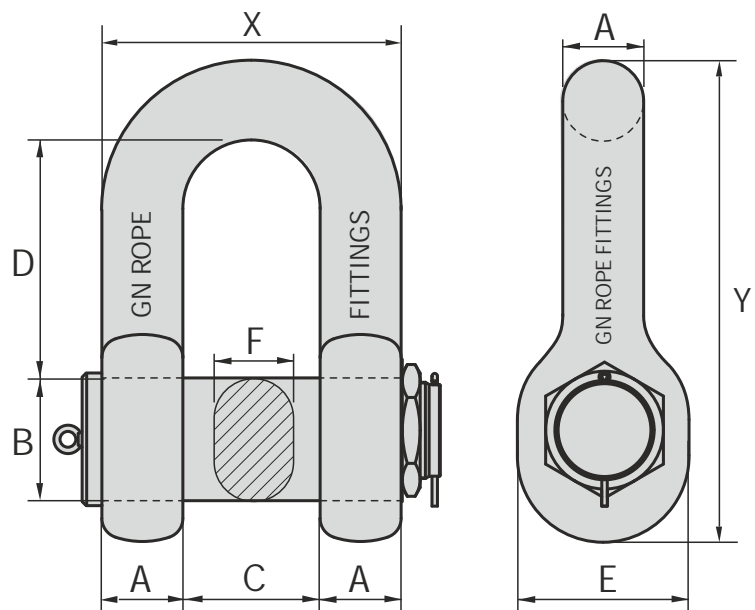
10-06-2014

ANCHOR SHACKLE WITH OVAL PIN

TYPE D17

Material : Forged steel R3/R3S/R4/R4S
 Finish : Painted
 Standards : ISO 1704
 Temperature range : -40°C up to +200°C

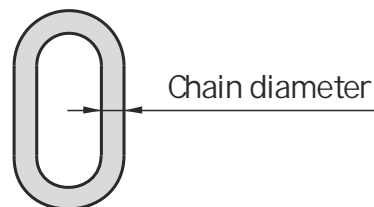
Also to be used for mooring applications
 Non-standard sizes or custom products available on request



Dimensions for shackles are calculated by multiplying the common link size by the factor shown in this drawing.

Dimensions related to nominal chain diameter

- A = 1.4 x chain diameter
- B = 1.8 x chain diameter
- C = 2.4 x chain diameter
- D = 4.6 x chain diameter
- E = 3.1 x chain diameter
- F = 1.4 x chain diameter
- X = 5.2 x chain diameter
- Y = 8.7 x chain diameter



Tolerance: According ISO 1704

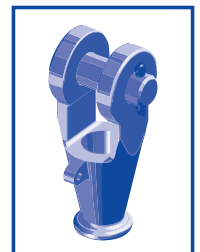


GNROPE FITTINGS

Grofsmederij Nieuwkoop B.V. - The Netherlands

www.gnweb.com, sales@gnweb.com

Tel: +31(0) 172 579 303, Fax: +31(0) 172 571 073



10-06-2014