

SOCKETS



S01
Closed spelter
socket



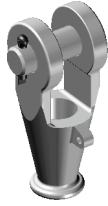
S02
Open spelter
socket



S03
Open wedge
socket



S04
CR
socket



S05
Open spelter
socket
S-type



S06
CR-D
socket

GENERAL

SHACKLES

THIMBLES

SOCKETS

LINKS

SWIVELS

HOOKS

SPECIALS

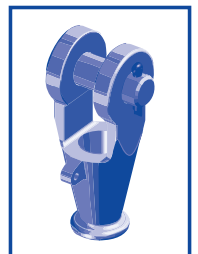


GNROPE FITTINGS

Grofsmederij Nieuwkoop B.V. - The Netherlands

www.gnweb.com, sales@gnweb.com

Tel: +31(0) 172 579 303, Fax: +31(0) 172 571 073

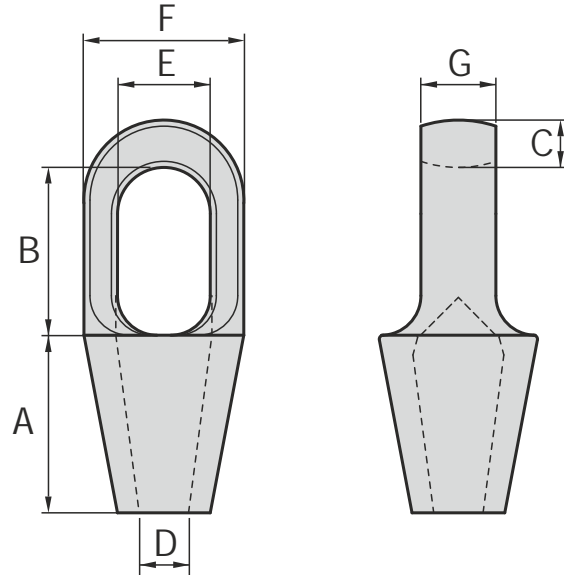
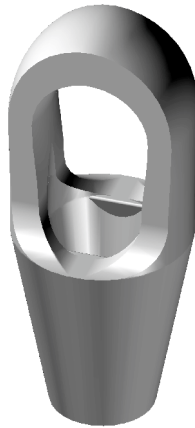


CLOSED SPELTER SOCKET

TYPE SO1

Material : Cast steel
 Safety factor : 5 times
 Finish : Painted/galvanised
 Type No. 215 standard galvanised
 Temperature range : -40°C up to +200°C

These sockets are included our non-rotating system (NRS-system) which prevents the tamp for turning or slipping out of the cone and guaranty a high performance connection.



~ specification: 1 = Painted
 9 = Galvanised

Art. No.	Type No.	Wire dia mm	Wire dia inch	MBL ton	A mm	B mm	C mm	D mm	E mm	F mm	G mm	Weight kg
47008079	290	6-7	/"	3	52	46	11	8	20	37	13	0.27
47008109	292	8-10	/"	6	58	53	14	11	24	43	16	0.44
47008139	294	11-13	/"	12	64	59	18	14	29	51	22	0.74
47008169	296	14-16	/"	24	77	65	21	18	35	67	25	1.4
47008199	298	17-19	/"	32	90	75	26	21	42	75	31	2.1
47002019	201	20-22	/"	45	101	90	33	24	47	92	38	4.0
47002049	204	23-26	1"	70	114	103	36	28	57	106	45	5.9
47002079	207	27-30	1 1/2"	100	127	116	39	32	63	114	51	7.7
4700212~	212	31-36	1 1/4"-1 1/2"	125	139	130	44	38	70	128	58	11
4700215~	215	37-39	1 1/2"	150	152	155	51	41	79	137	64	14
4700217~	217	40-42	1 1/2"	200	165	171	54	44	82	146	70	18
4700219~	219	43-48	1 1/2"-1 3/4"	260	190	198	55	51	89	171	77	28
4700222~	222	49-54	2"-2 1/4"	280	216	224	62	57	98	194	84	40
4700224~	224	55-60	2 1/4"-2 3/4"	360	228	247	73	65	110	216	94	52
4700226~	226	61-68	2 3/4"-3"	450	248	270	80	73	140	241	102	63
4700227~	227	69-75	2 3/4"-3 1/4"	480	279	286	79	79	159	273	124	89
4700228~	228	76-80	3"-3 1/4"	520	305	298	83	86	171	292	133	111
4700229~	229	81-86	3 1/4"-3 3/4"	600	330	311	102	92	184	311	146	143
4700230~	230	87-93	3 3/4"-4"	700	356	330	102	99	197	330	159	166
4700231~	231	94-102	3 3/4"-4 1/4"	875	381	356	108	108	216	362	178	217
4700233~	233	108-115	4 1/4"	1100	460	425	120	125	235	405	190	338
4700240~	240	122-130	5"	1250	500	475	140	138	270	515	210	579
4700250~	250	140-155	5 1/2"-6"	1400	580	550	150	160	300	510	250	654
4700260~	260	158-167	6 1/4"	1600	675	600	175	175	325	600	300	1063

Tolerance: ± 5%, machined parts ± 1 mm

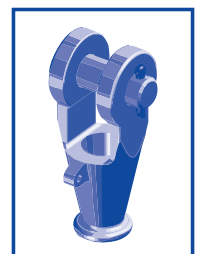


GNROPE FITTINGS

Grofsmederij Nieuwkoop B.V. - The Netherlands

www.gnweb.com, sales@gnweb.com

Tel: +31(0) 172 579 303, Fax: +31(0) 172 571 073



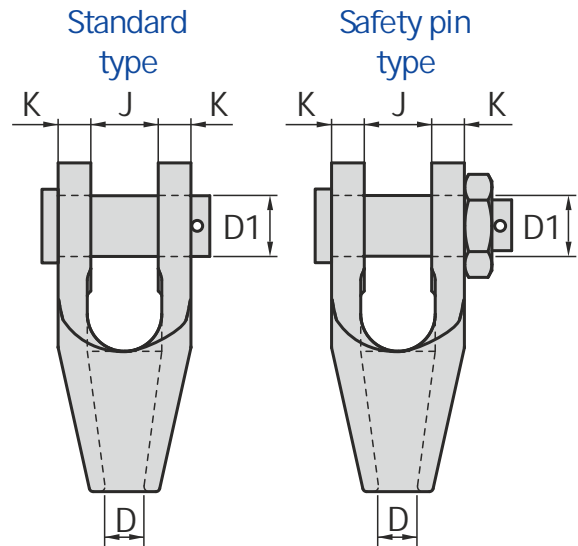
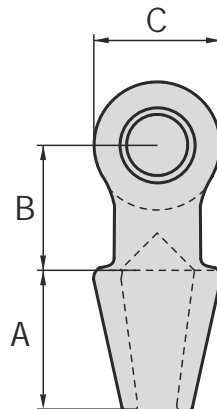
03-09-2014

OPEN SPELTER SOCKET

TYPE SO2

Material : Cast steel
 Safety factor : 5 times
 Finish : Painted/galvanised
 Type No. 115 standard galvanised
 Temperature range : -20°C up to +200°C

These sockets are included our non-rotating system (NRS-system) which prevents the tamp for turning or slipping out of the cone and guaranty a high performance connection.



~ specification: 1 = Painted
 9 = Galvanised

Art. No. Standard	Art. No. Safety pin	Type No.	Wire dia mm	Wire dia inch	MBL ton	A mm	B mm	C mm	D mm	D1 mm	J mm	K mm	Weight kg
	47907089	192	6-7	/"	3	52	40	34	8	18	17	8	0.44
	47907109	194	8-10	/"	6	58	45	40	11	21	20	11	0.81
	47907139	196	11-13	/"	12	64	51	49	14	26	25	12	1.3
	47907169	198	14-16	/"	24	77	64	62	18	30	32	14	2.3
47001009	47901009	100	17-19	/"	32	89	76	100	21	35	38	16	3.2
47001049	47901049	104	20-22	/"	45	101	89	86	24	41	44	19	5.4
47001089	47901089	108	23-26	1"	70	114	101	114	28	51	51	22	9.6
47001119	47901119	111	27-30	1/2"	100	127	114	124	32	57	57	25	12
47001159	47901159	115	31-36	1/2"-1/2"	125	139	127	135	38	63	63	28	16
4700118~	4790118~	118	37-39	1/2"	150	152	162	152	41	70	76	30	24
4700120~	4790120~	120	40-42	1/2"	200	165	165	168	44	76	76	33	29
4700125~	4790125~	125	43-48	1/2"-1/2"	260	191	178	190	51	89	89	39	45
4700128~	4790128~	128	49-54	2"-2/2"	280	216	229	206	57	95	101	46	65
4700130~	4790130~	130	55-60	2/2"-2/2"	360	229	254	225	63	108	113	53	88
4700132~	4790132~	132	61-68	2/2"-2/2"	450	248	273	251	73	121	127	60	125
4700135~	4790135~	135	69-75	2/2"-2/2"	480	279	279	266	79	127	133	73	162
4700138~	4790138~	138	76-80	3"-3/2"	520	305	286	274	86	133	146	76	195
4700140~	4790140~	140	81-86	3/2"-3/2"	600	330	298	286	92	140	159	79	224
4700142~	4790142~	142	87-93	3/2"-3/2"	700	356	318	310	99	152	171	83	280
4700144~	4790144~	144	94-102	3/2"-4"	875	381	343	352	108	178	191	89	378
4700146~	4790146~	146	108-115	4/2"	1100	460	480	430	125	190	208	101	564
4700150~	4790150~	150	122-130	5"	1250	500	500	550	138	250	210	120	922
4700160~	4790160~	160	140-155	5/2"-6"	1400	580	500	590	160	275	230	140	1295
4700170~	4790170~	170	158-167	6/2"	1600	675	600	640	175	290	310	175	1950

Tolerance: ± 5%, machined parts ± 1 mm

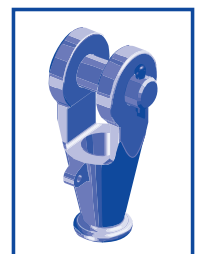


GNROPE FITTINGS

Grofsmederij Nieuwkoop B.V. - The Netherlands

www.gnweb.com, sales@gnweb.com

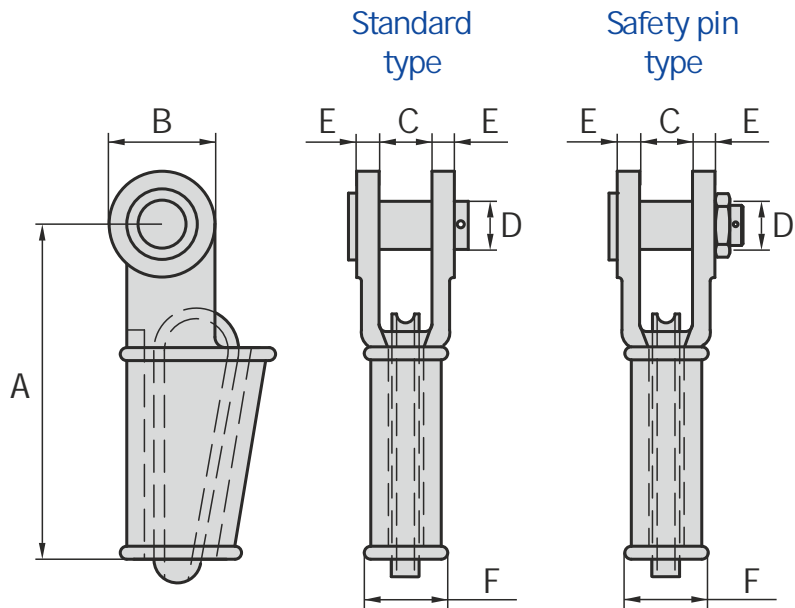
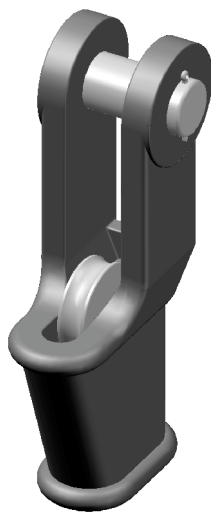
Tel: +31(0) 172 579 303, Fax: +31(0) 172 571 073



OPEN WEDGE SOCKET

TYPE SO3

Material : Cast steel
 Safety factor : 5 times
 Finish : Painted/galvanised
 Type No. 5 standard galvanised
 Temperature range : -20°C up to +200°C



~ specification: 1 = Painted
 9 = Galvanised

Art. No.	Type No.	Wire dia mm	Wire dia inch	MBL ton	A mm	B mm	C mm	D mm	E mm	F mm	Weight kg
47000009	0.5	9-10	7/16"	10	146	47	21	20	11	26	1.7
47000019	1	11-13	7/16"	16	146	57	26	20	12	32	2.3
47000029	2	14-16	1/2"	25	176	70	32	30	14	44	3.9
47000039	3	17-19	1/2"	32	212	80	38	35	16	44	6.1
47000049	4	20-22	3/8"	45	240	96	44	41	19	52	9.3
47000059	5	23-26	1"	70	274	114	51	50	22	58	15
4700006~	6	27-29	1 1/8"	100	310	130	57	57	25	66	21
4700007~	7	30-33	1 1/4"	125	350	146	63	63	28	79	33
4700008~	8	34-36	1 1/2"	125	400	148	69	63	28	79	39
4700009~	9	37-40	1 3/8"	150	450	160	76	70	30	93	53
4700010~	10	41-43	1 1/2"	200	500	174	76	76	33	95	68
4700011~	11	44-48	1 7/8"	260	550	200	89	89	39	111	98
4700012~	12	49-53	2"	280	650	200	101	95	46	140	123
4700013~	13	56	2 1/8"	360	660	250	113	108	53	136	178
4700014~	14	63	2 1/2"	450	840	270	127	121	60	161	281
4700015~	15	75	3"	520	1000	300	146	133	76	186	469
4700016~	16	81-86	3 1/4"-3 1/2"	625	1100	300	159	140	79		630

Tolerance: ± 5%, machined parts ± 1 mm

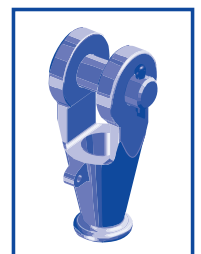


GNROPE FITTINGS

Grofsmederij Nieuwkoop B.V. - The Netherlands

www.gnweb.com, sales@gnweb.com

Tel: +31(0) 172 579 303, Fax: +31(0) 172 571 073



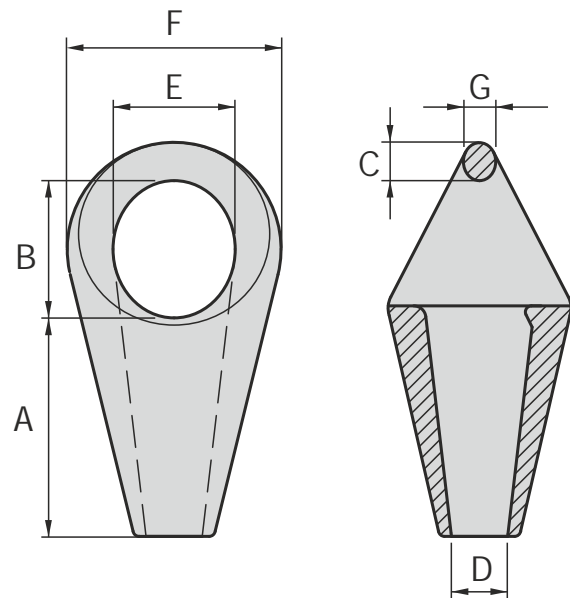
CR SOCKET

TYPE SO4

Material : Cast steel
 Safety factor : 5 times
 Finish : Painted/galvanised
 Type No. 519 standard galvanised
 Temperature range : -40°C up to +200°C

CR sockets give the best possible connection between a chain- and a rope anchoring system. These sockets are included our non-rotating system (NRS-system) which prevents the tump for turning or slipping out of the cone and guaranty a high performance connection.

DNV TYPE APPROVED



~ specification: 1 = Painted
 9 = Galvanised

Art. No.	Type No.	Wire dia mm	Wire dia inch	WLL ton	MBL ton	A mm	B mm	C mm	D mm	E mm	F mm	G mm	Weight kg
47005129	512	31-36	1"-1 1/8"	28	140	140	85	38	39	75	124	35	7.2
47005179	517	38-42	1 1/8"-1 1/2"	32	160	160	110	42	44	92	130	38	11
47005199	519	43-48	1 1/2"-1 3/4"	40	200	188	128	50	51	110	180	45	18
4700522~	522	49-54	2"-2 1/8"	50	250	215	125	55	57	115	200	50	25
4700524~	524	55-60	2 1/8"-2 1/4"	60	300	230	145	65	63	135	230	57	35
4700526~	526	61-68	2 1/4"-2 3/8"	80	400	250	160	75	73	160	262	65	51
4700527~	527	69-75	2 3/8"-2 7/8"	100	500	280	175	80	79	171	278	70	62
4700528~	528	76-80	3"-3 1/8"	120	600	315	210	85	86	184	300	75	75
4700529~	529	81-86	3 1/8"-3 1/4"	140	700	340	205	100	92	204	320	90	93
4700530~	530	87-93	3 1/4"-3 3/8"	160	800	360	220	105	99	215	340	95	110
4700531~	531	94-102	3 3/8"-4"	180	900	380	240	110	108	234	376	100	141
4700533~	533	108-115	4"-4 1/8"	200	1000	450	260	125	120	252	400	110	186
4700540~	540	122-130	4 1/8"-5"	250	1250	517	293	140	140	275	460	125	317

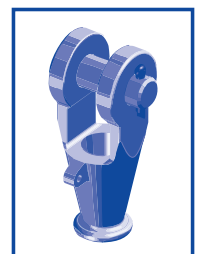
Tolerance: ± 5%



GNROPE FITTINGS
 Grofsmederij Nieuwkoop B.V. - The Netherlands

www.gnweb.com, sales@gnweb.com

Tel: +31(0) 172 579 303, Fax: +31(0) 172 571 073



03-09-2014

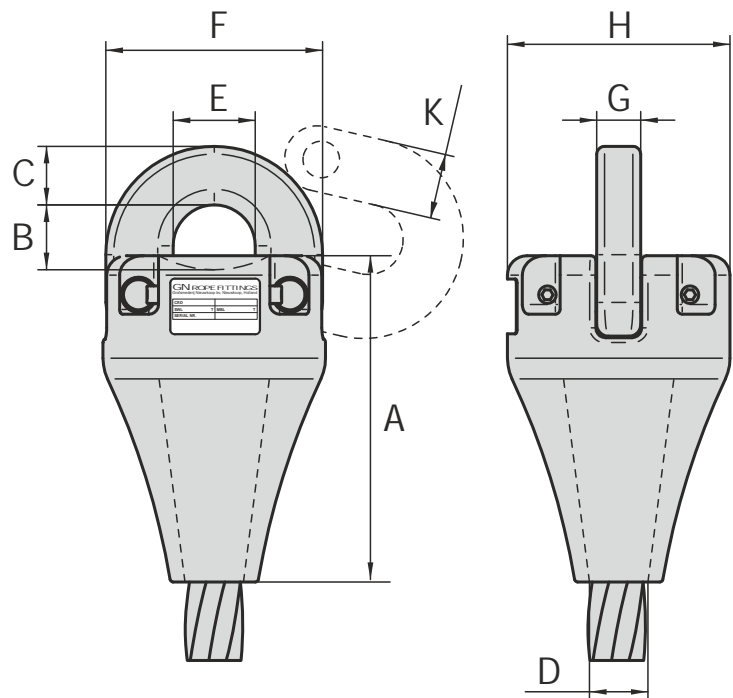
CR-D SOCKET

TYPE S06

Material : Forged steel R3/R3S/R4/R4S
 Safety factor : 5 times
 Finish : Painted
 Temperature range : -20°C up to +200°C

Suitable for use with common studless links and endlinks
 Non-standard sizes or custom products available on request

600 SERIE



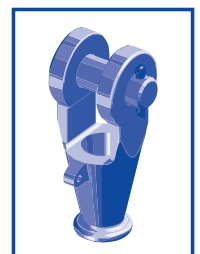
Art. No.	Type No.	Wire dia inch	Suitable chain	WLL ton	MBL ton	A mm	B mm	C mm	D mm	E mm	F mm	G mm	H mm	K mm	Weight kg
47006229	622	2" -2/"	2"	50	250	304	70	60	59	84	222	45	238	69	47
47006289	628	3" -3/"	3"	120	600	465	120	100	86	112	340	80	378	114	211
47006309	630	3/4" -3/4"	3/4"	160	800	520	152	120	99	140	400	80	420	130	304

Tolerance: Forged parts ± 5%, machined parts ± 1 mm



GNROPE FITTINGS

Grofsmederij Nieuwkoop B.V. - The Netherlands



www.gnweb.com, sales@gnweb.com
 Tel: +31(0) 172 579 303, Fax: +31(0) 172 571 073